

## APPLICATIONS

- Filtration plants
- Water applications
- Duct & room pressure
- Pumps & Compressors
- Clean room applications

## FEATURES

- Compact design
- Direct Piston type / Diaphragm operated piston type
- Migrated (Piston) / Isolated (Diaphragm) pressure chambers
- Static pressure up to 100 bar (Diaphragm), 200 bar (Piston)

## DESCRIPTION

## General

**Accuracy** :  $\pm 2\%$  of FSD (Ascending)  
**Ambient temperature** :  $-40\dots+65^{\circ}\text{C}$   
**Service temperature** :  $80^{\circ}\text{C}$  max.  
**Pressure limits** : Steady pressure up to FS value  
**Pressure limits** : Steady and over pressure up to FS value  
**Static pressure (For Piston Type)** : 200 bar (Optional : 400 bar)

## Material of construction

**Sensing element** : Piston / Diaphragm  
**Case** : AISI 304 SS, Push-fit window  
**Welded parts** : Aluminium / AISI 316 SS / AISI 316L SS  
**Dial** : Aluminum, black graduation on white background  
**Pointer** : Fix, aluminum, black powder coated  
**Window** : Sheet glass / Acrylic glass / Safety Glass  
**Movement mechanism** : Ceramic magnet + SS Spring

## Liquid filled version

**Accuracy** :  $\pm 2.5\%$  of FSD (Ascending)  
**Case type** : Dry / Glycerin / Silicon oil filled



MAGNETIC TYPE DIFFERENTIAL PRESSURE GAUGE  
M500 / M510

## Standard version

**Dial size** : DN63 / DN100 / DN150  
**Range** : 0...0.25bar up to 0...10 bar (Piston)  
           : 0...75 mbar up to 0...4 bar (Diaphragm)  
**Mounting pattern / porting** : Direct, In-line connection  
**Process connection** :  $\frac{1}{4}$ " NPT (F) x 2 Nos  
**Ingress protection** : IP 65  
**Execution** : Dry

## Switch version

**Adjustable range** : 20% up to 100%  
**Case type** : Dry / Glycerin / Silicon oil filled  
**Conduit entry** : PG 13.5 for Hirschmann connectors

## Switch Code, Type , Rating &amp; Termination style

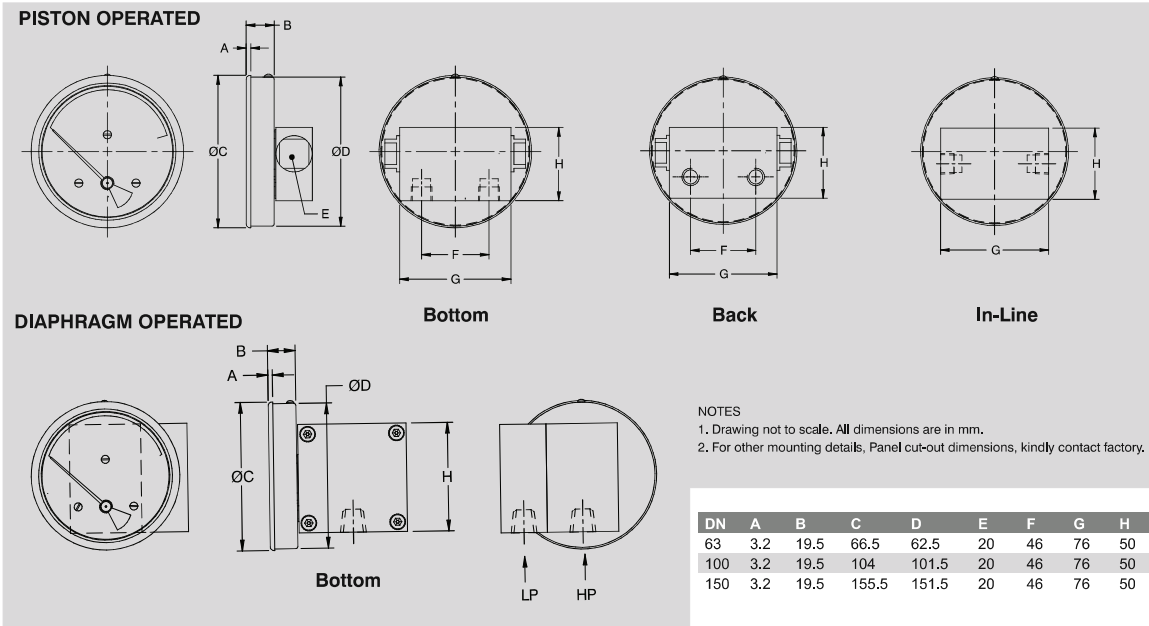
CODE	Type	Rating	Termination style
TS1	1 SPST	230V/1A, 40VA	Terminal strip, 3-wire
TS2	2 SPST	230V/1A, 40VA	Terminal strip, 5-wire
HS1	1 SPST	230V/1A, 40VA	Hirschmann Connector
HS2	2 SPST	230V/1A, 40VA	Hirschmann Connector
TD1	1 SPDT	230V/1A, 40VA	Terminal strip, 4-wire
TD2	2 SPDT	230V/1A, 40VA	Terminal strip, 7-wire
HD1	1 SPDT	230V/1A, 40VA	Hirschmann Connector
HD2	2 SPDT	230V/1A, 40VA	Hirschmann Connector

## Magwell LLC

537 Cajundome Boulevard, Suite 111  
 Lafayette LA 70506, USA  
 info@magwellus.com  
 (888) 624-9355



**DIMENSIONAL DRAWING**



**ORDERING CODES**

<b>DIAL SIZE</b>		<b>050</b> 2" / 50 mm *	<b>063</b> 2.5" / 63 mm	<b>100</b> 4" / 100 mm	<b>115</b> 4.5" / 115 mm *	<b>150</b> 6" / 150 mm	<b>063</b>
<b>MODEL</b>		<b>M500</b> Magnetic Piston Operated Differential Pressure Gauge <b>M510</b> Magnetic Diaphragm Operated Differential Pressure Gauge					<b>M500</b>
<b>MOUNTING</b>		<b>BT</b> Direct bottom	<b>CB</b> Direct center back	<b>NL</b> In-Line			<b>BT</b>
<b>CONNECTION</b>		<b>2FN</b> ¼" NPT (F) <b>2FB</b> ¼" BSP (M)	<b>4MN</b> ½" NPT (M) <b>4BN</b> ½" BSP (M)	<b>4MM</b> M20 X 1.5 mm (M)			<b>1FN</b>
<b>CASE FILLING</b>		<b>D</b> Dry	<b>G</b> Glycerin filled	<b>S</b> Silicon oil filled			<b>D</b>
<b>WETTED PARTS</b>		<b>AL</b> Aluminum	<b>S6</b> AISI 316 SS	<b>SL</b> AISI 316L SS			<b>S6</b>
<b>RANGE (ΔP)</b>		<b>0-15 psi</b> Please mention range required with the measurement unit [Magwell offer in all types of National & International measurement units, e.g. kg/cm², psi, kPa, etc. with single or dual scales]					<b>0-15 psi</b>
<b>OPTIONAL EXTRAS</b>		<b>SC</b> AISI 316 SS case & ring <b>CC</b> 5 - point calibration certificate <b>TP</b> AISI 316 SS tag plate	<b>MR</b> Maximum Reading pointer <b>FF</b> Front flange <b>CL</b> Custom Logo	<b>TXX/HXX</b> Switch as per table <b>2P</b> 2" Pipe mounting bracket & clamp <b>DS</b> Dual scale marking			<b>CC/TP</b>

**Ordering Example : 063=M500=BT=2FN=D=S6=0-15psi=CC=TP**



Magnetic Differential Pressure Gauge M500 - 510



**Magwell LLC**

537 Cajundome Boulevard, Suite 111  
 Lafayette LA 70506, USA  
 info@magwellus.com  
 (888) 624-9355